

# APPROVAL SHEET

<b>PRODUCT NAME</b>	<b>CUSTOMER APPROVED BY</b>
JCA213	
<b>CUSTOMER NAME OR MODEL</b>	<b>APPROVED DATE</b>

## SPECIFICATION /规格书



Part Number: JCA213

Product Name: BEIDOU I Antenna

### VERSION INFORMATION

VERSION	DATE	REVISION DESCRIPTION	PREPARED	CHECKED	APPROVED
V1.0	2014-01-16	New Issued			

<b>PREPARED BY</b>	<b>CHECKED BY</b>	<b>APPROVED BY</b>
王滨滨	傅胜明	陈小忠

## 1. Electrical Characteristics/电气参数

Item		Specifications
Antenna	Frequency Range/频率范围	L:1615.68 ± 4.08MHz S:2491.75 ± 4.08MHz
	Band Width/带宽	L > 20MHz S > 100MHz
	Polarization/极化	L:LHCP S:RHCP
	Gain/增益	L:3dBic@58*58mm ground plane S:5dBic@58*58mm ground plane
	V.S.W.R/电压驻波比	< 2.0:1
	Impedance/阻抗	50 Ω
	Axis Ratio/轴比	≤ 3dB
	Isolation/隔离度	≥ 20dB

## 2. Material/材质

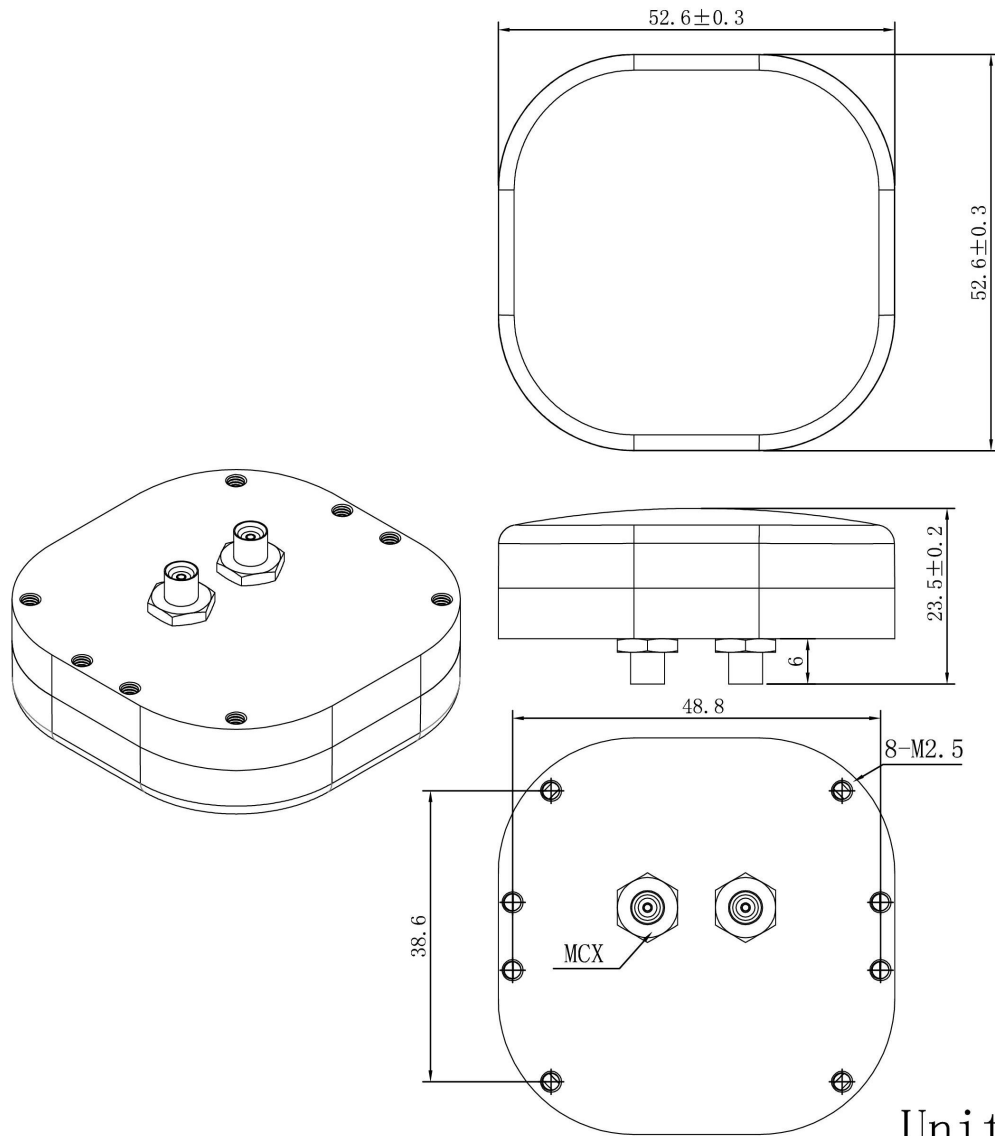
Item		Specifications
	RF Connector/射频连接器	MCX or others
	Radome Material/天线罩材料	ABS
	Antenna/天线	Dielectric Ceramics/介质陶瓷

## 3. Testing Conditions/测试条件

Item		Specifications
Environmental	Operating Temperature/工作温度	-40°C ~ +80°C
	Storage Temperature/储存温度	-40°C ~ +85°C
	Ingress Protection	IP66

	Vibration	10 to 55Hz with 1.5mm amplitude 2hours
	Relative Humidity/相对湿度	All of the specifications in Item 1 is to be satisfied after antennas exposed to +60 °C ± 5 °C /90%~95%RH for 96H,and then to temprature/humidity of Item 1for 2H. 天线放于 60 °C ± 5 °C /90%~95%RH 环境中 96 小时, 再在常温、常湿下放置2 小时, 天线电气性能不变
	Packing Drop Test/包装跌落测试	A single antenna drops with height 1.2M and marble platform, down ten times in accordance with the order of six-sided triangular corner 将单个天线, 跌落高度为1.2M, 大理石平台, 按照一角三棱六面顺序共跌十次

#### 4. Structure/成品结构图

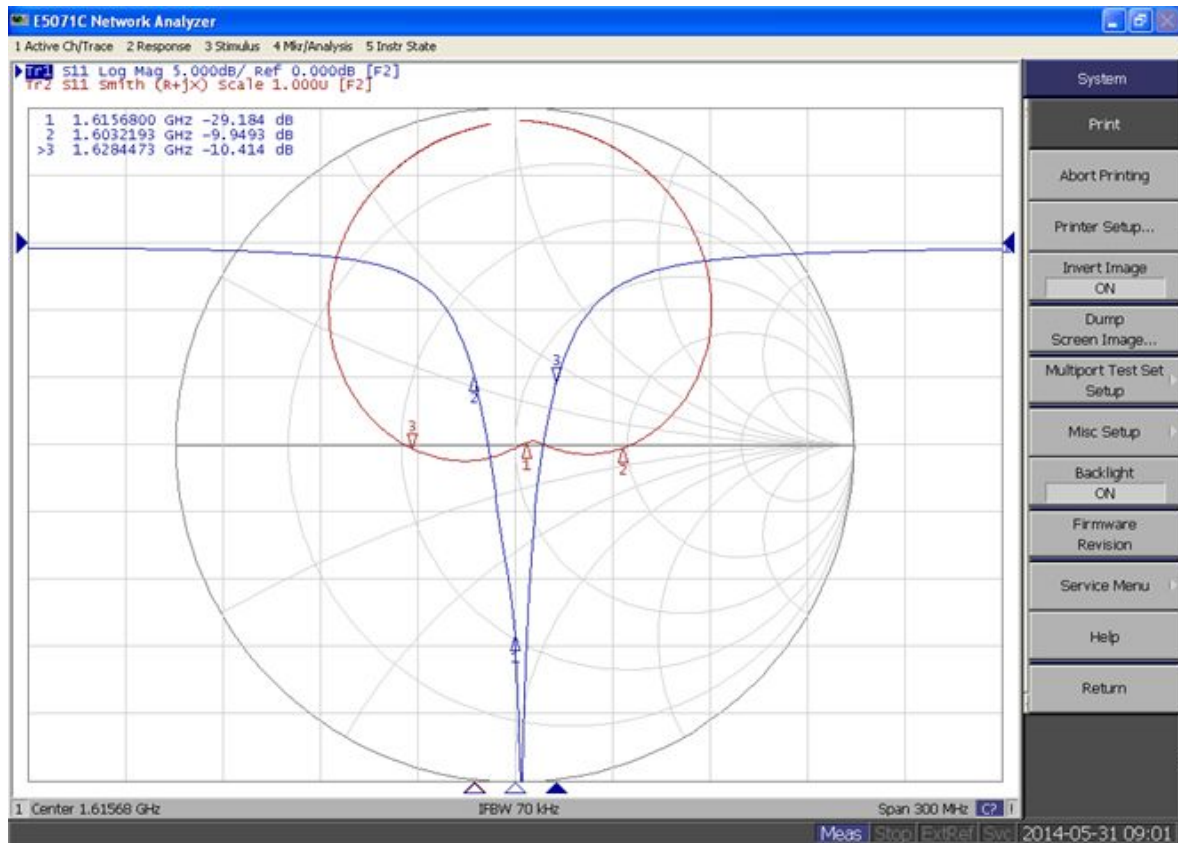


Unit:mm

## 5.Test/测试

### ①Smith&Return loss

L:



S:

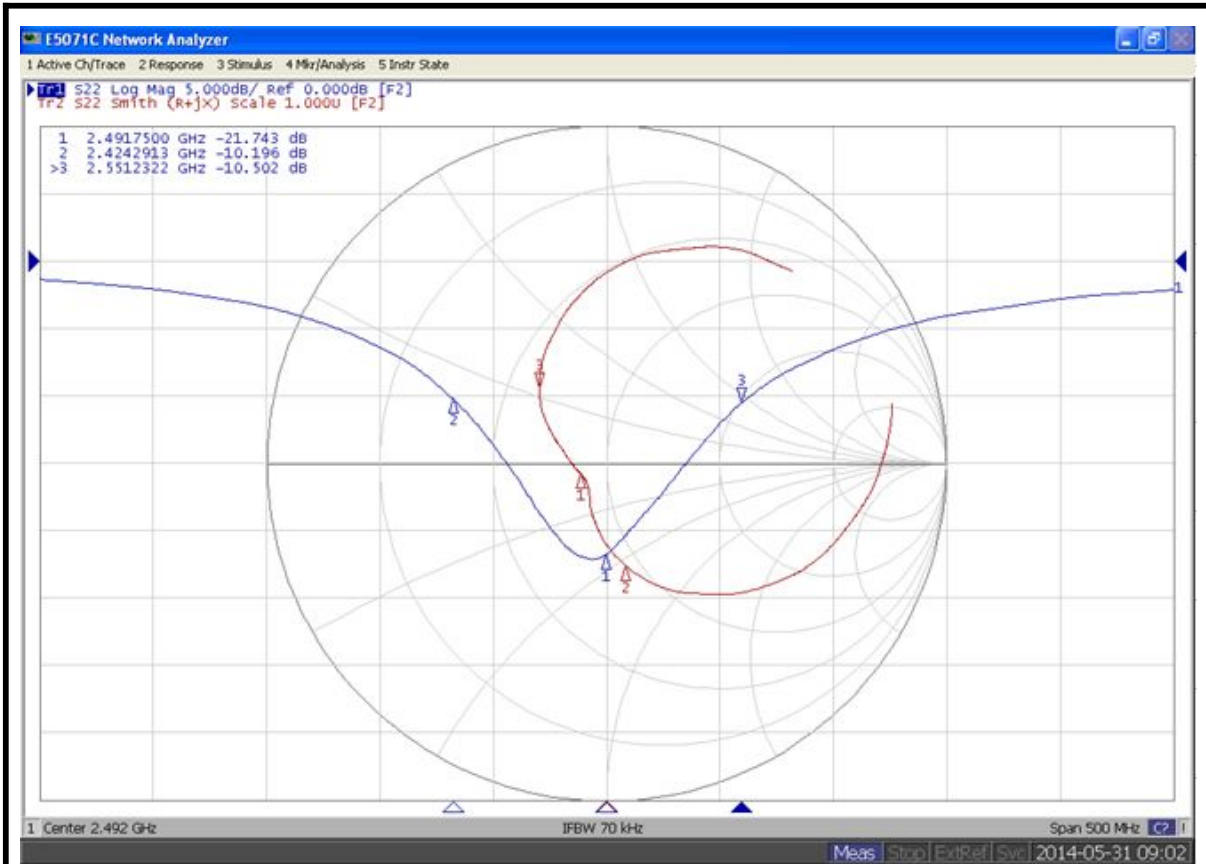
JIAXING JINCHANG ELECTRONIC TECHNOLOGY CO.,LTD

Add: 398#,Zhenye Road, South Street, Jiaxing, Zhejiang, China

Http://www.jinchanggps.com

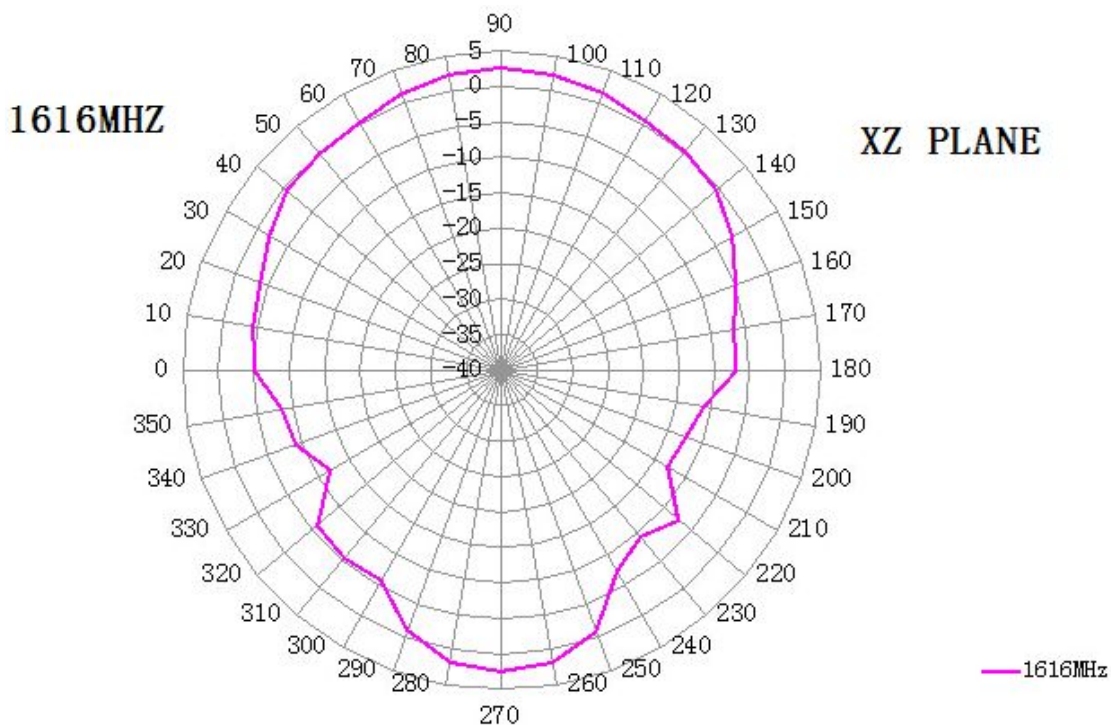
E-mail:jcgps@vip.163.com

Tel: 86-0573-83692157/83692605/83958637 Fax:86-0573-83958635

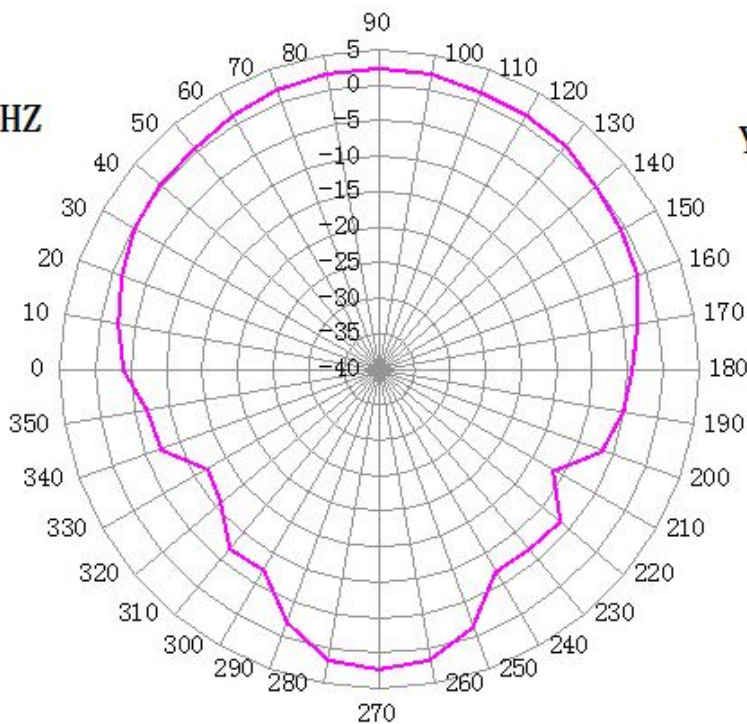


② Radiation Pattern/方向图

L:



1616MHZ



S:

2492MHZ

